



特征 Features

- 经济塑料型
- 不锈钢滚轮，冲头及弹簧
- 特大 ± 95° 摇臂摆幅
- 导管连接器尺寸标配M20x1.5
- Economical & plastic type
- Stainless steel roller, punch and spring
- Swing amplitude, extra large ± 95°
- Standard size configuration M20x1.5 for conduit connector

接点型式 Contact Form



规格 Specification

型号	Model	CLS	101	103	111	121	127	131	161	171	181	191
			301	303	311	321	327	331	361	371	381	391
操作力	Operating force	OF (最大)(Max.)	700g	700g	700g	500g	700g	500g-cm	100g	100g	100g	500g-cm
回弹力	Release force	RF (最小)(Min.)	200g	200g	200g	100g-cm	200g	100g-cm	40g	40g	40g	100g-cm
前预行程	Pre-travel	PT (最大)(Max.)	1.8mm	1.8mm	1.8mm	20°	1.8mm	20°	30mm	30mm	30mm	20°
触发位置	Tripping position	TP ± 10%	2.0mm	2.0mm	2.0mm	22.5°	2.0mm	22.5°	22.5°	22.5°	22.5°	22.5°
行程移动分辨率	Movement differential	MD(最大)(Max.)	1.2mm	1.2mm	1.2mm	10°	1.2mm	10°	14°	14°	14°	10°
触后行程	Over travel	OT (最小)(Min.)	4.0mm	4.0mm	4.0mm	75°	4.0mm	75°	20mm	20mm	20mm	75°
累积总行程	Total travel	TT (最小)(Min.)	5.8mm	5.8mm	5.8mm	95°	5.8mm	95°	50mm	50mm	50mm	95°
摇臂转动分角度	Rotary indexing					22.5°		22.5°				22.5°

额定值 Ratings

额定电压 Rated voltage	非电感性负载 Noninductive Load (A)				电感性负载 Inductive Load (A)			
	电阻性负载 Resistance Load		灯泡负载 Lamp Load		电感性负载 Inductive Load		马达负载 Motor Load	
	NC	NO	NC	NO	NC	NO	NC	NO
125VAC	5	5	1.5	0.7	3	3	2	1
250VAC	5	5	1	0.5	3	3	1.5	0.8
8VDC	5	5	3	3	5	4	3	3
14VDC	5	5	3	3	4	4	3	3
30VDC	5	5	3	3	4	4	3	3
125VDC	0.4	0.4						
250VDC	0.2	0.2						
突入电流 Inrush Current	N.C.:24A以下, N.O.:12A以下 N.C: below 24A, N.O: below 12A							

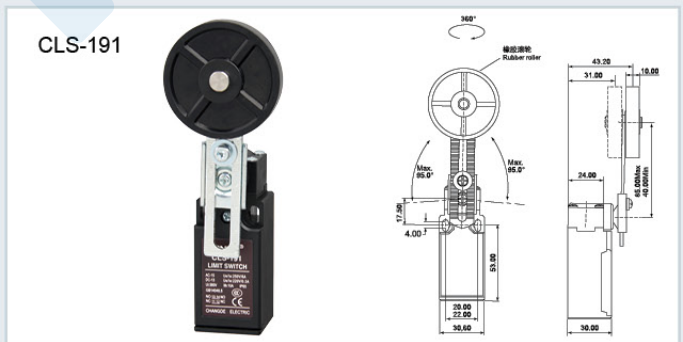
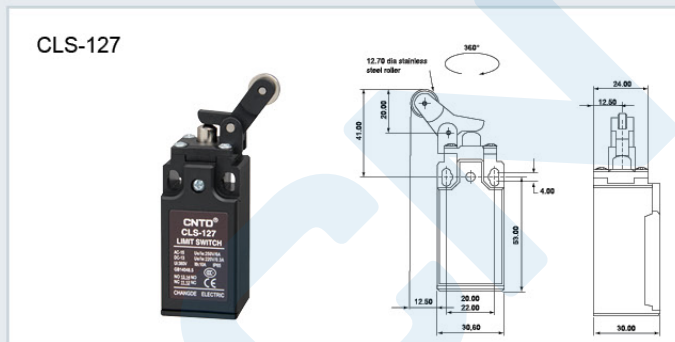
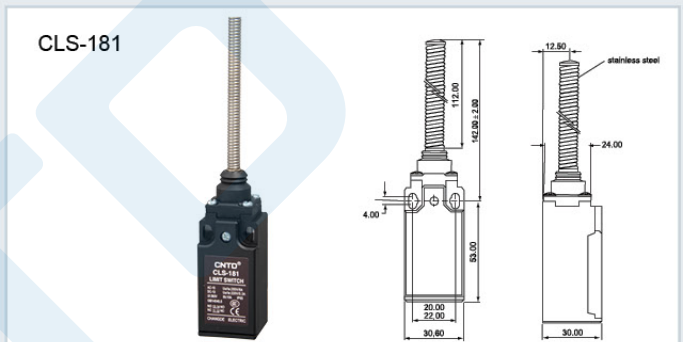
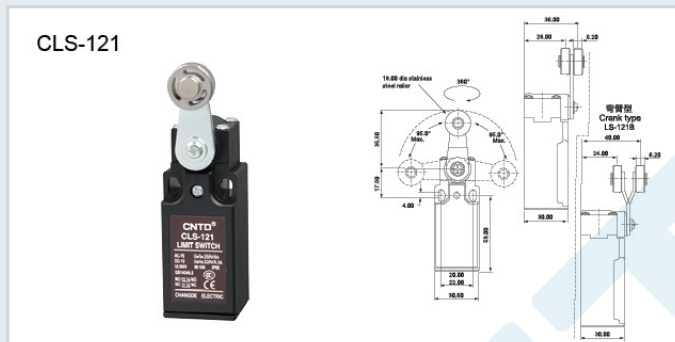
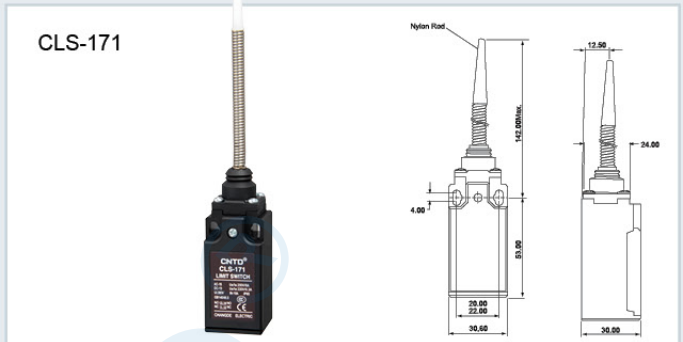
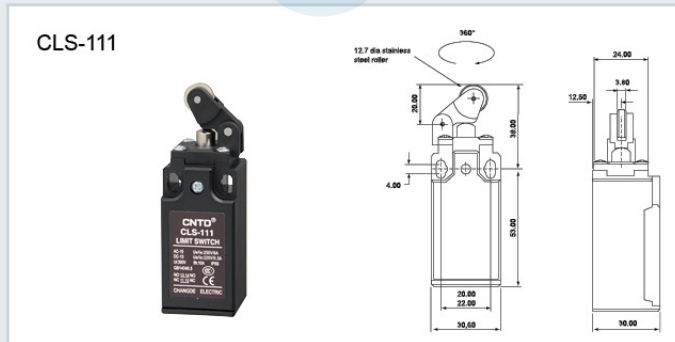
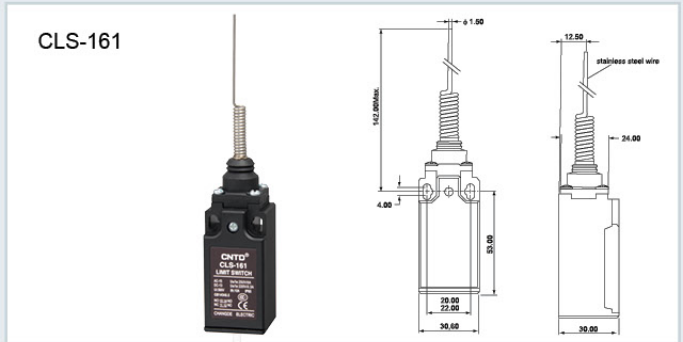
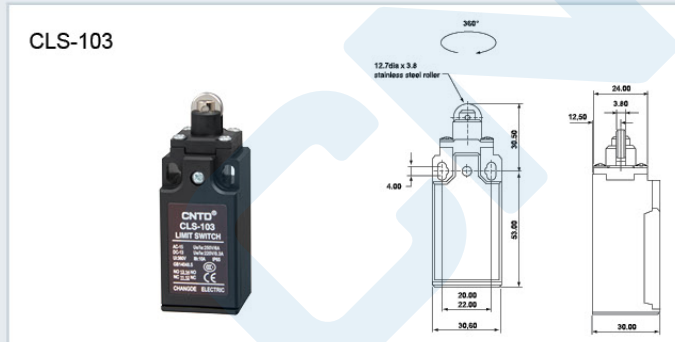
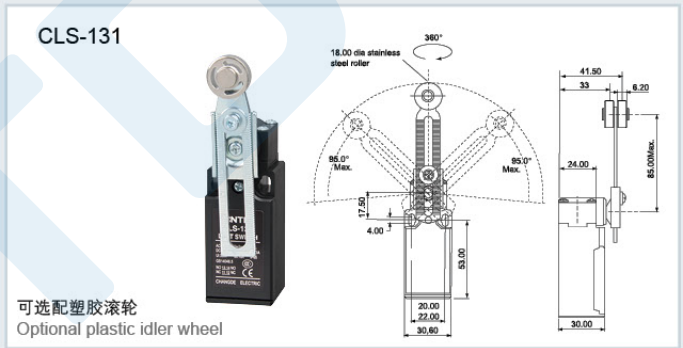
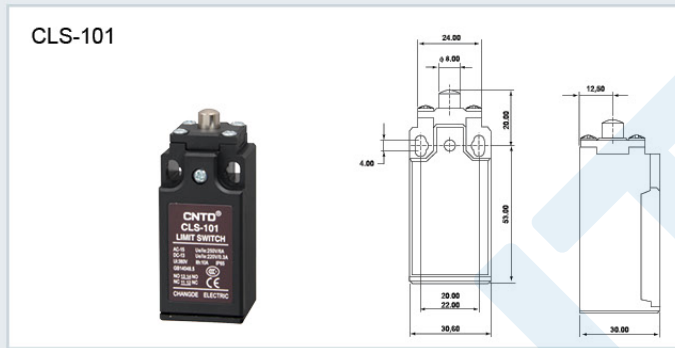
- 注: 1、电感性负载之功率因素在0.4以上(AC), 时间常数在7msec以下(DC).
2、灯泡负载之突入电流为稳定状态电流之10倍, 马达负载之突入电流为稳定状态电流之6倍.
3、带弹簧系列产品, 操作体的使用范围为从弹簧的前端到弹簧全长的1/3以内。

NOTES: 1. Inductive load has a power factor of 0.4 min.(AC) and a time constant of 7 msec. max.(DC).
2. Lamp load has an inrush current of 10 times the steady-state current, while motor load has an inrush current of 6 times the steady-state current.
3. Product with spring, its usable range of operating part is within one third of the whole spring length from the front end of spring.

特性 Characteristics

操作速度 Operation speed	0.5mm至50cm/sec(锁住塞型) 0.5mm-50cm/sec
动作频率 Operating frequency	机械:120次/分 电气:30次/分 Mechanical: 120 operations/minute Electrical: 30 operations/minute
接点电阻 Contact resistance	25mΩ (mm)(初期) 25mΩ max. (initial value)
绝缘电阻 Insulation resistance	100MΩ 以上(在500VDC下) 100mΩ min. (below 500VDC)
电介强度 Dielectric strength	非连续端子间1,000VAC, 50/60Hz持续1分钟 1000VAC, 50/60 Hz for 1 minute between terminals of the same polarity 载电流与无载电流零件间1,500VAC, 50/60Hz持续1分钟 1500VAC, 50/60 Hz for 1 minute between current-carrying and non-current-carrying metal parts 端子和接地之间1,500VAC, 50/60Hz持续1分钟 1500VAC, 50/60 Hz for 1 minute between each terminal and ground
振动 Vibration	10至55Hz, 1.5mm双振幅 10-55Hz, 1.5mm double amplitude
冲击 Shock	机械耐久:1,000m/Sec ² (约100G' S) 误动作耐久:300m/Sec ² (约30G' S) Mechanical durable: 1,000m/Sec ² (about 100G'S) Malfunction: 300m/Sec ² (about 30G'S)
周围温度 Ambient temperature	使用时:-10~+70℃ (没有结冰With no icing)
湿度 Humidity	95%RH以下 <95% RH
使用寿命 Life	机械:10,000,000次以上 电气:500,000次以上 Mechanical: 10,000,000 operations above Electrical: 500,000 operations above
保护构造 Degree of protection	IP65 (IEC 规格 Standard)

外观和尺寸 Appearance and Dimension



外观和尺寸 Appearance and Dimension

<p>CLS-301</p>	<p>CLS-331</p> <p>可选配塑胶滚轮 Optional plastic idler wheel</p> <p>可选配尼龙滚轮 Nylon Roller LSK-331P</p>
<p>CLS-303</p>	<p>CLS-361</p>
<p>CLS-311</p>	<p>CLS-371</p>
<p>CLS-321</p> <p>可选配塑胶滚轮 Optional plastic idler wheel</p> <p>可选配尼龙滚轮 Nylon Roller LSK-321P</p>	<p>CLS-381</p>
<p>CLS-327</p>	<p>CLS-391</p>