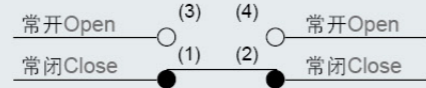




特征 Features

- 双回路型限位开关，用途广泛
- 具坚固一体铸造铝合金外壳
- 高机械强度
- 具耐油、防水和耐压结构
- 因装有设定位置指示板，故维护容易
- 引动器种类多，方便使用
- 内藏接点座有双簧片设计，机械寿命长
- 导管连接器尺寸标配M20x1.5
- Double-circuit type of limit switch, is widely used
- With strong aluminum cast outer shell
- High mechanical strength
- Structure preventing oil, water and pressure
- Indicating plate with setting position is installed in it, so it is easy to maintain
- Various of actuators is taken convenience for using
- Built-in contact stand has double-spring, so it has long mechanical life
- Standard size configuration M20x1.5 for conduit connector

接点型式 Contact Form



特性 Characteristics

操作速度 Operation speed	1mm至2m/s(WLCA2型) 1mm-2m/s
动作频率 Operating frequency	机械: 120次/分 电气: 30次/分 Mechanical: 120 operations/minute Electrical: 30 operations/minute
接点电阻 Contact resistance	15mΩ以下(初期) 15mΩ max. (initial value)
绝缘电阻 Insulation resistance	100MΩ以上(在500VDC以下) 100mΩ min. (at 500VDC)
电介强度 Dielectric strength	非连续端子间1,000VAC, 50/60Hz持续1分钟 1000VAC, 50/60 Hz for 1 minute between terminals of the same polarity 载电流与无载电流零件间1,500VAC, 50/60Hz持续1分钟 1500VAC, 50/60 Hz for 1 minute between current-carrying and non-current-carrying metal parts 端子和接地之间1,500VAC, 50/60Hz持续1分钟 1500VAC, 50/60 Hz for 1 minute between each terminal and ground
振动 Vibration	10至50Hz, 1.5mm双振幅 10-55Hz, 1.5mm double amplitude
冲击 Shock	机械耐久: 1,000m/Sec ² (约100G ² S) 误动作耐久: 300m/Sec ² (约30G ² S) Mechanical durable: 1,000m/Sec ² (about 100G ² S) Malfunction: 300m/Sec ² (about 30G ² S)
周围温度 Ambient temperature	使用:-10~+80℃ (没有结冰With no icing)
湿度Humidity	95%RH以下 <95% RH
使用寿命 Life	机械: 10,000,000次以上(在额定OT值下) 电气: 500,000次以上 Mechanical: 15,000,000 operations above (under rated OT) Electrical: 500,000 operations above
保护构造 Degree of protection	IEC规格: IP66 IEC specification: IP66

额定值 Ratings

额定电压 Rated voltage	非感性负载 Noninductive Load (A)			感性负载 Inductive Load (A)		
	电阻性负载 Resistance Load	灯泡负载 Lamp Load	马达负载 Motor Load	电感性负载 Inductive Load	马达负载 Motor Load	马达负载 Motor Load
	NC	NO	NC	NO	NC	NO
125VAC	10	3	1.5	10	5	2.0
250VAC	5	2	1	5	3	1.0
480VAC	3	1.5	0.8	3	1.5	0.8
600VAC	1	1	0.5	1.5	1	0.5
8VDC	10	6	3	10	6	6
14VDC	10	6	3	10	6	6
30VDC	6	4	3	6	4	4
125VDC	0.8	0.2	0.2	0.8	0.2	0.2
250VDC	0.4	0.1	0.1	0.4	0.1	0.1

注: 1. 感性负载: 功率因素=0.4; 时间常数=7msec.
2. 灯泡负载之突入电流为稳定状态电流之10倍, 马达负载之突入电流为稳定状态电流之6倍。
3. 带弹簧系列产品, 操作体的使用范围为从弹簧的前端到弹簧全长的1/3以内。
NOTES: 1. Inductive load has a power factor of 0.4 min.(AC) and a time constant of 7 msec. max.(DC).
2. Lamp load has an inrush current of 10 times the steady-state current, while motor load has an inrush current of 6 times the steady-state current.
3. Product with spring, its usable range of operating part is within one third of the whole spring length from the front end of spring.

动作特性 Operating Characteristics

型号Models	CWLCA2-2	CWLD2	CWLNJ	CWLNJ-S2	CWLCA12-2-Q CWLCA12-2-QD	CWLCL	CWLCA32-41 CWLCA32-42	CWLD	CWLNJ-2	CWLNJ-30	CWLD1	CWLD3
OF最大(Max.)	1360g	2720g	150g	29g	1360g	142g	1200g	2720g	120g	80g	2720g	2720g
RF最小(Min.)	227g	910g	-	-	227g	28g	-	910g	-	-	910g	910g
PT最大(Max.)	20°	1.7mm	28mm	28mm	20°	20°	55°	1.7mm	28mm	28mm	1.7mm	1.7mm
OT最小(Min.)	30°	5.6mm	-	-	30°	30°	35°	6.4mm	-	-	5.6mm	5.6mm
MD最大(Max.)	12°	1mm	-	-	12°	12°	-	1mm	-	-	1mm	1mm
TF最大(Max.)	2720g	-	-	-	2720g	200g	-	-	-	-	2720g	2720g
TT最小(Min.)	50°	6.5±0.8mm	-	-	50°	50°	OP: 90±10°	OP: 34±2.8mm	-	-	6.5±0.8mm	9±0.8mm

外观和尺寸 Appearance and Dimension

CWLCA2-2

可选配塑胶滚轮
Optional plastic idler wheel

CWLCA12-2-Q

可选配塑胶滚轮
Optional plastic idler wheel

CWLCL

CWLD

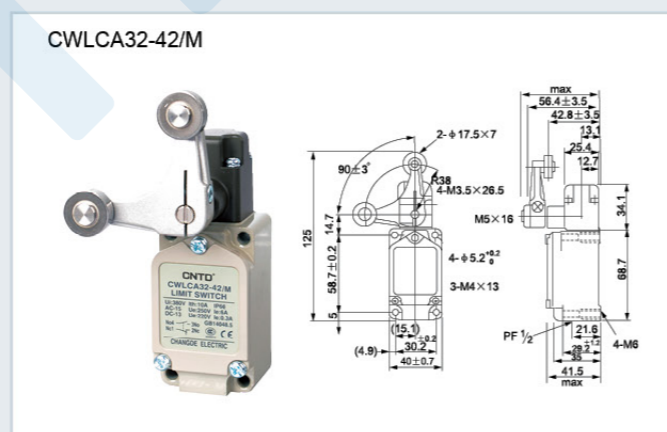
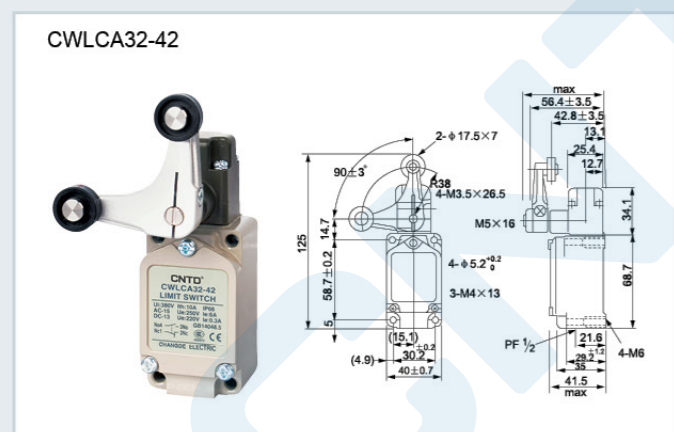
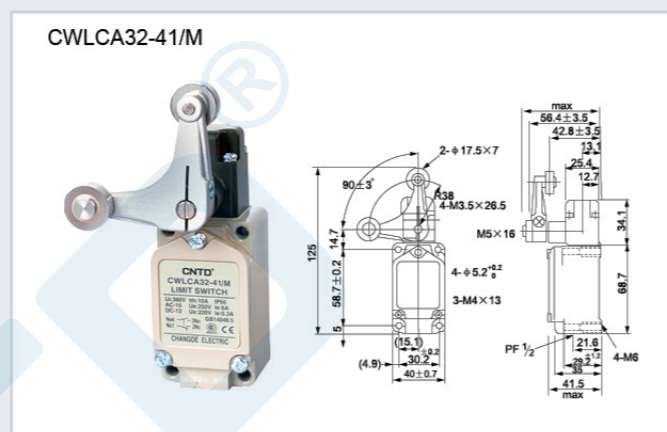
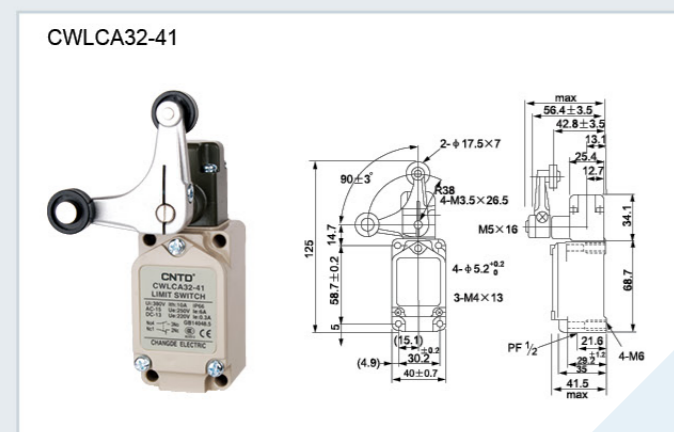
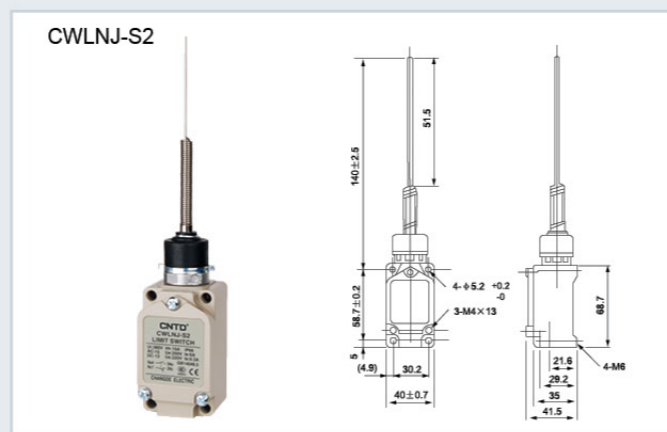
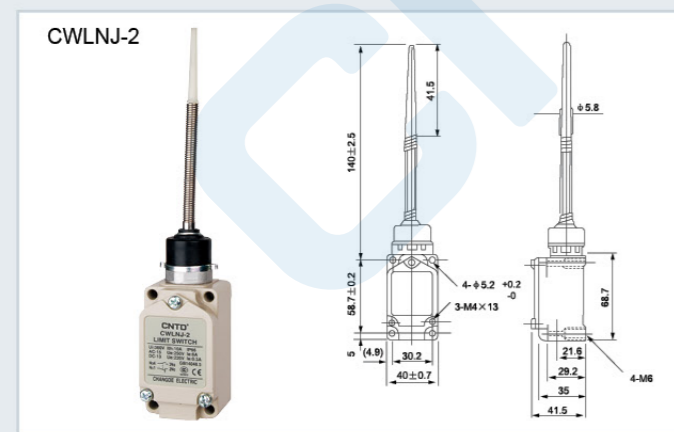
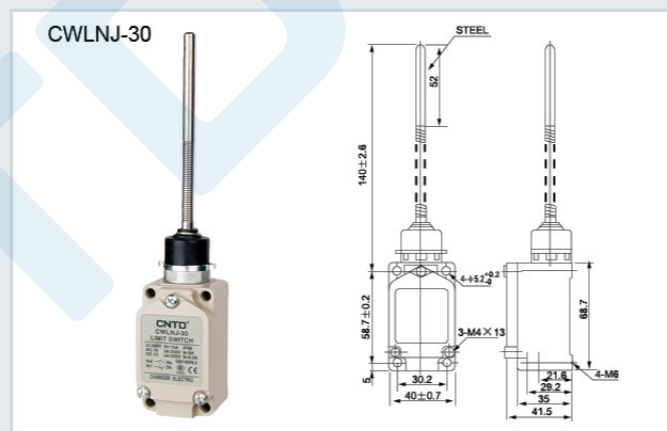
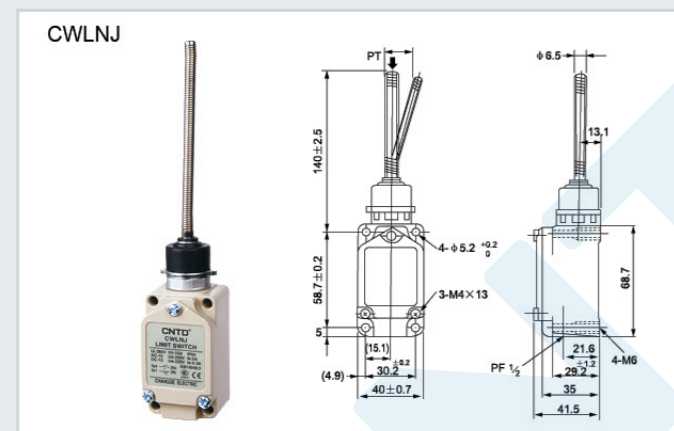
CWLD1

CWLD2

CWLD3

CWLCA12-2-QD

外观和尺寸 Appearance and Dimension



特征 Features

- 引动器种类多, 方便使用
- 容易配线之导管设计
- 金属外壳, 高机械强度
- 内藏接点座有双簧片设计, 机械寿命长
- A variety of actuators that is easy to use
- Conduit design that is convenient for wiring
- Metal shell with high mechanical strength
- Built-in contact stand has double-spring, so it has long mechanical life

接点型式 Contact Form



规格 Specification

型号	Model	CHL	5000	5030	5050	5100	5200	5220	5300	5330	5381	5391
操作力	Operating force	OF (最大)(Max.)	750g-cm	750g-cm	750g-cm	750g-cm	900g-cm	900g-cm	150g	150g	150g	550g-cm
回弹力	Release force	RF (最小)(Min.)	100g-cm	100g-cm	100g-cm	200g	200g	200g	30g	30g	30g	100g-cm
前预行程	Pre-travel	PT (最大)(Max.)	20°	20°	20°	1.8mm	1.8mm	1.8mm	30mm	30mm	30mm	20°
触发位置	Tripping position	TP ± 10%	22.5°	22.5°	22.5°	2.0mm	2.0mm	2.0mm	22.5°	22.5°	22.5°	22.5°
行程移动分辨率	Movement differential	MD (最大)(Max.)	10°	10°	10°	1.2mm	1.2mm	1.2mm	14°	14°	14°	14°
触后行程	Over travel	OT (最小)(Min.)	75°	75°	75°	4.0mm	4.0mm	4.0mm	20mm	20mm	20mm	75°
累积总行程	Total travel	TT (最小)(Min.)	95°	95°	95°	5.8mm	5.8mm	5.8mm	50mm	50mm	50mm	95°

额定值 Ratings

额定电压 Rated voltage	非电感性负载 Noninductive Load (A)				电感性负载 Inductive Load (A)			
	电阻性负载 Resistance Load		灯泡负载 Lamp Load		电感性负载 Inductive Load		马达负载 Motor Load	
	NC	NO	NC	NO	NC	NO	NC	NO
125VAC	5	5	1.5	0.7	3	3	2	1
250VAC	5	5	1	0.5	3	3	1.5	0.8
8VDC	5	5	3	3	5	4	3	3
14VDC	5	5	3	3	4	4	3	3
30VDC	5	5	3	3	4	4	3	3
125VDC	0.4	0.4						
250VDC	0.2	0.2						
突入电流 Inrush Current	N.C.:24A以下, N.O.:12A以下 N.C.: below 24A, N.O.: below 12A							

- 注: 1. 电感性负载之功率因素在0.4以上(AC), 时间常数在7msec以下(DC).
2. 灯泡负载之突入电流为稳定状态电流之10倍, 马达负载之突入电流为稳定状态电流之6倍.
3. 带弹簧系列产品, 操作体的使用范围为从弹簧的前端到弹簧全长的1/3以内.
- NOTES: 1. Inductive load has a power factor of 0.4 min. (AC) and a time constant of 7 msec. max. (DC).
2. Lamp load has an inrush current of 10 times the steady-state current, while motor load has an inrush current of 6 times the steady-state current.
3. Product with spring, its usable range of operating part is within one third of the whole spring length from the front end of spring.

特性 Characteristics

操作速度 Operation speed	0.5mm至50cm/sec(锁住塞型) 0.5mm-50cm/sec
动作频率 Operating frequency	机械:120次/分 电气:30次/分 Mechanical: 120 operations/minute Electrical: 30 operations/minute
接点电阻 Contact resistance	25mΩ (mm)(初期) 25mΩ max. (initial value)
绝缘电阻 Insulation resistance	100MΩ 以上(在500VDC下) 100mΩ min. (below 500VDC)
电介强度 Dielectric strength	非连续端子间1,000VAC, 50/60Hz持续1分钟 1000VAC, 50/60 Hz for 1 minute between terminals of the same polarity 载电流与无载电流零件间1,500VAC, 50/60Hz持续1分钟 1500VAC, 50/60 Hz for 1 minute between current-carrying and non-current-carrying metal parts 端子和接地之间1,500VAC, 50/60Hz持续1分钟 1500VAC, 50/60 Hz for 1 minute between each terminal and ground
振动 Vibration	10至55Hz, 1.5mm双振幅 10-55Hz, 1.5mm double amplitude
冲击 Shock	机械耐久:1,000m/Sec ² (约100G' S) 误动作耐久:300m/Sec ² (约30G' S) Mechanical durable: 1,000m/Sec ² (about 100G'S) Malfunction: 300m/Sec ² (about 30G'S)
周围温度 Ambient temperature	使用时:-10~+70℃ (没有结冰/With no icing)
湿度Humidity	95%RH以下 <95% RH
使用寿命 Life	机械:10,000,000次以上 电气:500,000次以上 Mechanical: 10,000,000 operations above Electrical: 500,000 operations above
保护构造 Degree of protection	IP65 (IEC 规格 Standard)

